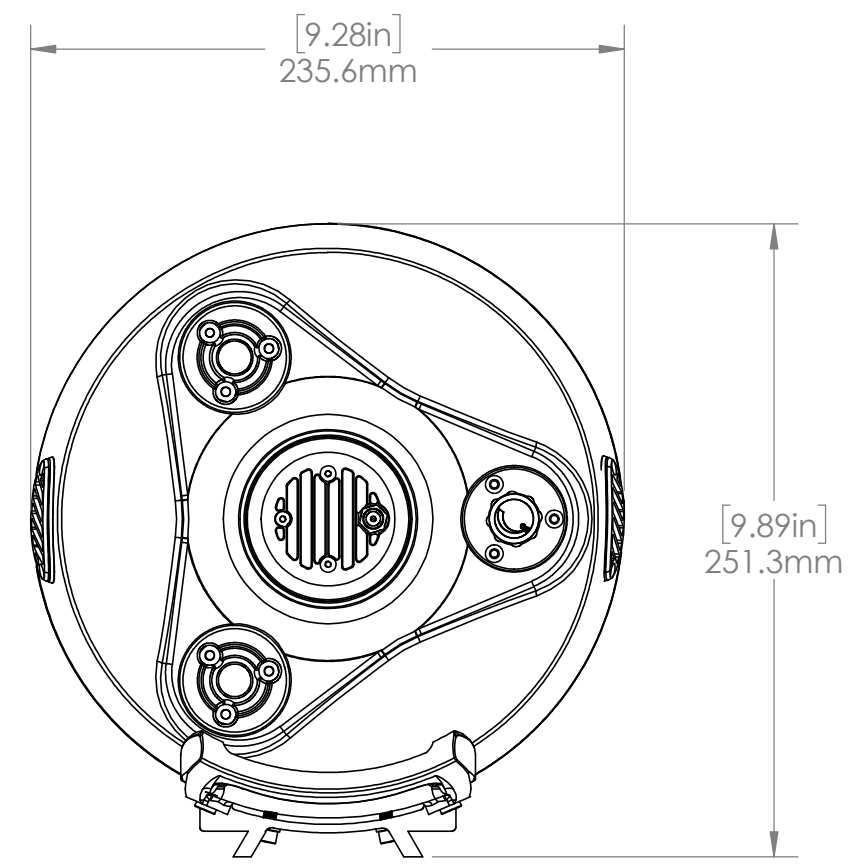
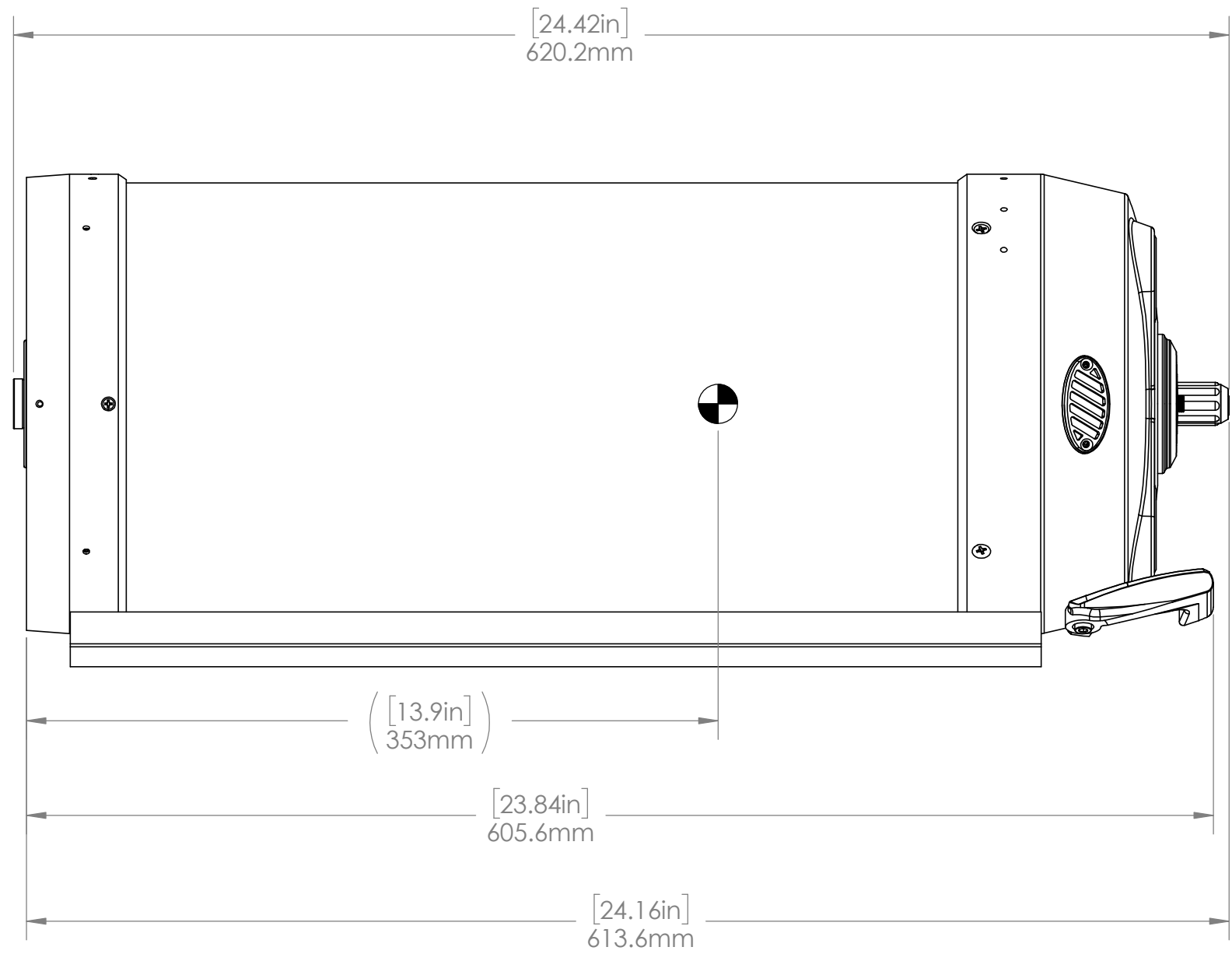


8 7 6 5 4 3 2 1

D  
C  
B  
A



D  
C  
B  
A

**PROPRIETARY AND CONFIDENTIAL**  
THE INFORMATION CONTAINED IN THIS DRAWING IS THE SOLE PROPERTY OF CELESTRON, LLC. ANY REPRODUCTION IN PART OR AS A WHOLE WITHOUT THE WRITTEN PERMISSION OF CELESTRON, LLC IS PROHIBITED.

UNLESS OTHERWISE SPECIFIED:  
DIMENSIONS ARE IN MILLIMETER  
TOLERANCES:  
ANGULAR: MACH ± 0.50  
TWO PLACE DECIMAL ±0.35  
THREE PLACE DECIMAL ±0.100  
INTERPRET GEOMETRIC  
TOLERANCING PER:  
MATERIAL  
FINISH  
DO NOT SCALE DRAWING

	THIRD ANGLE PROJECTION	NAME	DATE
DRAWN	WM	01/22/21	
CHECKED			
ENG APPR.			
MFG APPR.			
Q.A.			
COMMENTS:			

2835 Columbia St.  
Torrance, CA 90503

TITLE:  
**8" RASA OTA Dimension**

SIZE	DWG. NO.	REV
<b>B</b>	8RASA0000_Rev12	

SCALE: 1:8 WEIGHT: SHEET 1 OF 1

8 7 6 5 4 3 2 1