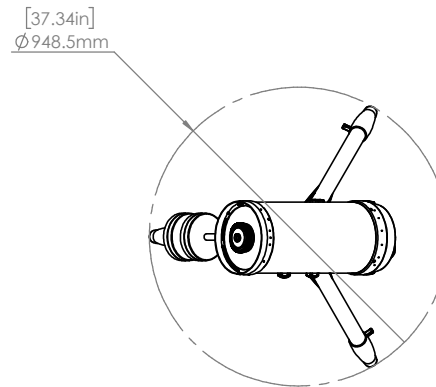
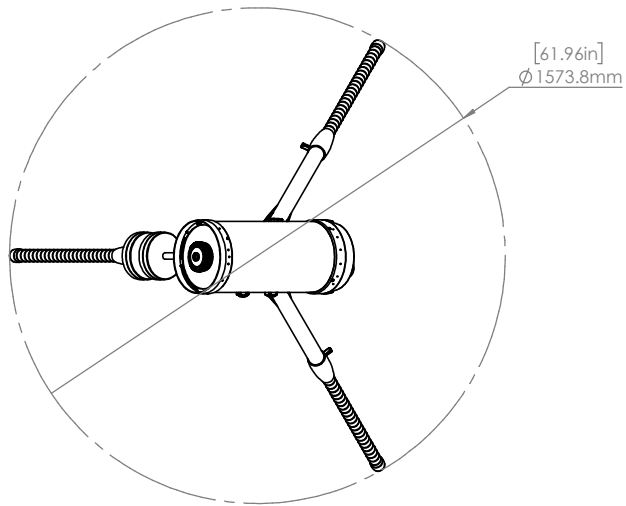
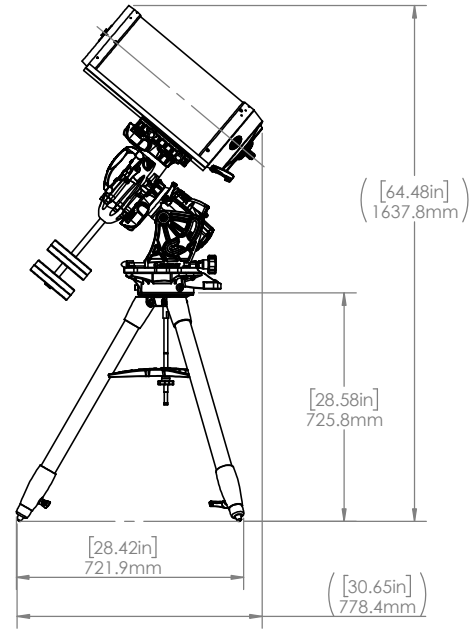
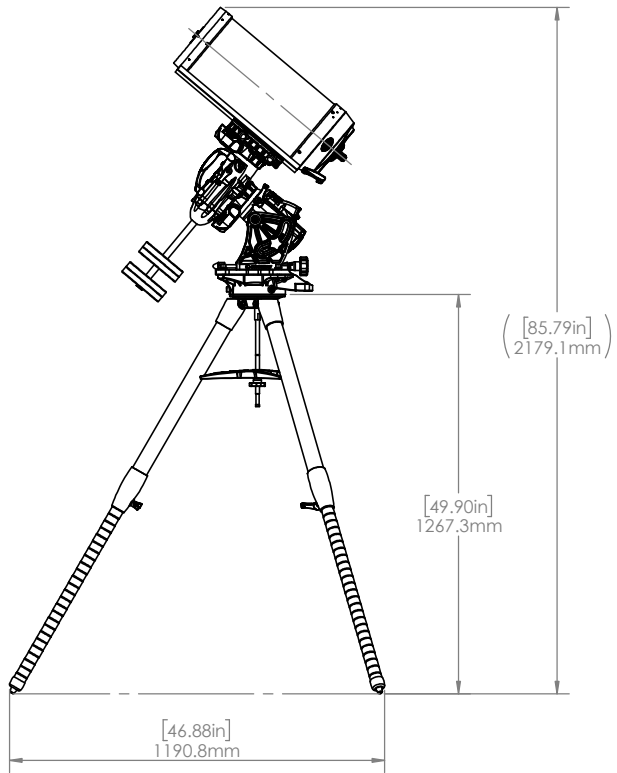



Note:

1. This drawing represents the telescope system setup at 40° latitude.
2. Overall height and footprint of the telescope system will vary by the setup processes, latitude and environment.



UNLESS OTHERWISE SPECIFIED:		NAME	DATE	 2835 Columbia St. Torrance, CA 90503
DIMENSIONS ARE IN MILLIMETER		DRAWN	WM	
TOLERANCES:		CHECKED		
FRACTIONAL: ±		ENG APPR.		
ANGULAR: MACH: ±0.50		MFG APPR.		
TWO PLACE DECIMAL: ±0.20		Q.A.		
THREE PLACE DECIMAL: ±0.005		COMMENTS:		
INTERPRET GEOMETRIC TOLERANCING PER:				
MATERIAL:				
FINISH:				
DO NOT SCALE DRAWING				

PROPRIETARY AND CONFIDENTIAL
 THE INFORMATION CONTAINED IN THIS DRAWING IS THE SOLE PROPERTY OF CELESTRON, LLC. ANY REPRODUCTION IN PART OR AS A WHOLE WITHOUT THE WRITTEN PERMISSION OF CELESTRON, LLC IS PROHIBITED.

TITLE:
 CGX 8" RASA Full Setup

SIZE	DWG. NO.	REV
C	CGX 8 RASA	X2
SCALE: 1:20	WEIGHT:	SHEET 1 OF 1